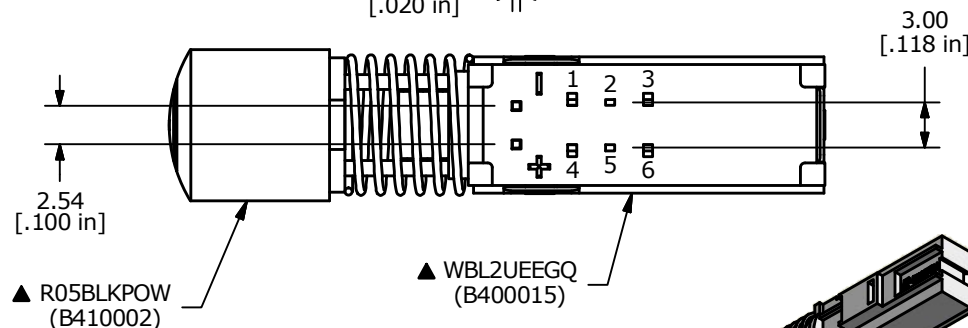
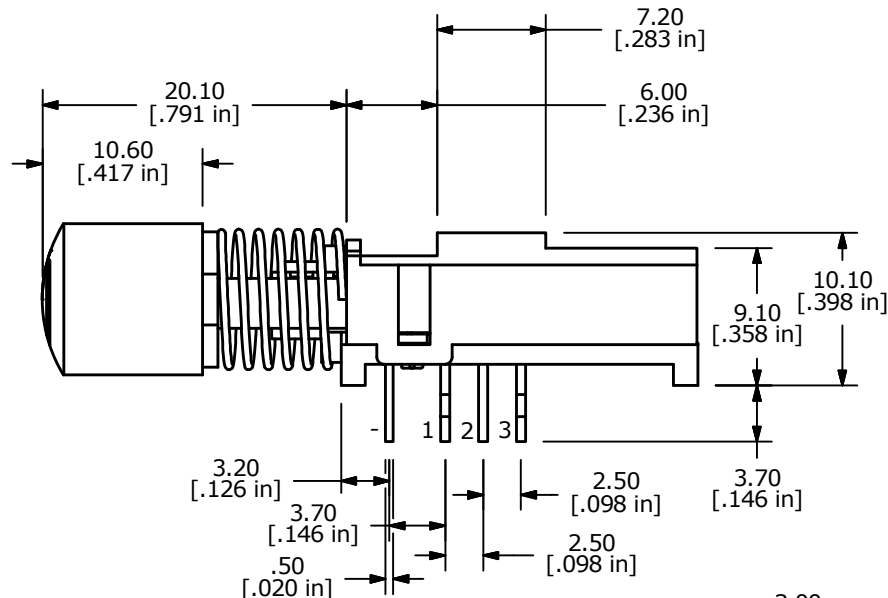
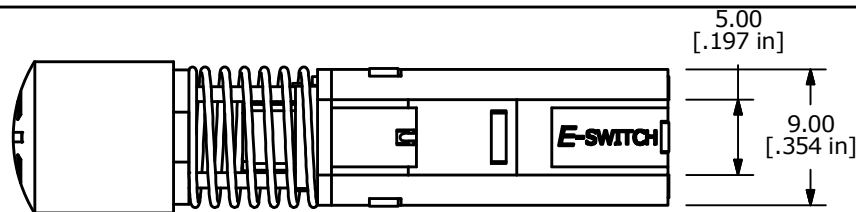
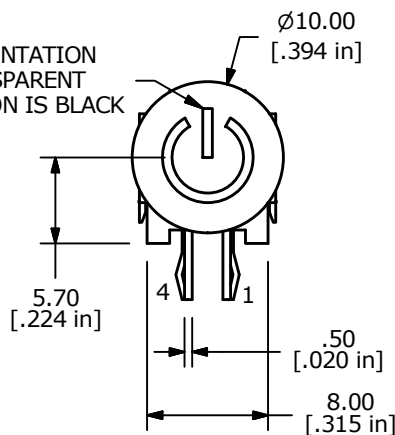


▲ NOTE SYMBOL ORIENTATION
SYMBOL IS TRANSPARENT
REMAINDER OF BUTTON IS BLACK



NOTES:

1. ALL DIMENSIONS IN MM [INCH]
2. GENERAL TOLERANCE: x.x=± 0.4mm
x.xx=± 0.25mm
3. RATING: DC 30V, 0.3A
4. OPERATING FORCE: 200± 100gf
5. TRAVEL: FULL: 3.3mm, LOCK: 2.5mm
6. LIFE CYCLES: 10,000 CYCLES
7. OPERATING TEMPERATURE: -20°C TO 70°C
8. CONTACT RESISTANCE: 20mΩ MAX.
9. INSULATION RESISTANCE: 100MΩ MIN@ 500VDC.
- ▲ 10. LED COLOR: GREEN
11. ▲ DENOTES CRITICAL PARAMETER.
12. 2002/95/EC (RoHS) COMPLIANT.

LED SPECS	UNITS	GREEN
FORWARD CURRENT	mA	20
FORWARD VOLTAGE @20mA	V	2.1 Typ-2.5 Max
LUMINOUS INTENSITY @20mA	MCD	400 Typ



REV	PCR NO	DESCRIPTION	DATE	BY
B	21999	UPDATE LED SPECS	10/6/15	MW
A	21038	RELEASE FOR PRODUCTION	2/18/13	EBP

TITLE WBL2UEEGQR05BLKPWR				
SCALE	DATE	DR	DWG	REV
2:1	2/18/2013	EBP	XB0943P	B

THE INFORMATION CONTAINED IN THIS DOCUMENT IS PROPRIETARY TO E-SWITCH AND IS NOT TO BE COPIED OR TRANSFERRED